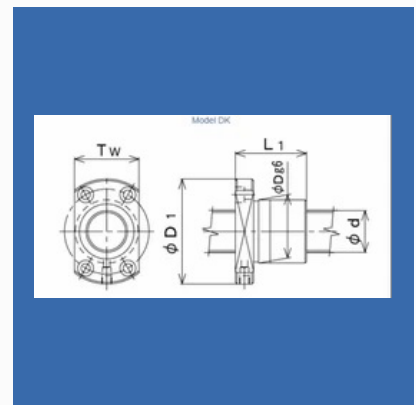
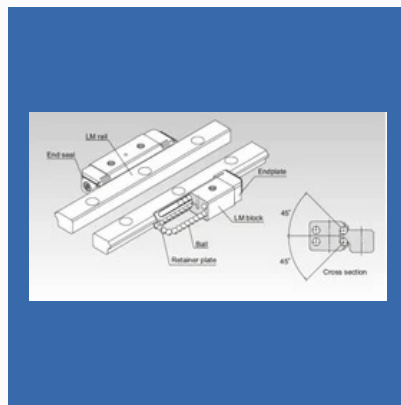




# Apex Precision Mechatronics Private Limited

<https://www.apexprecision-india.com/>

We are known as the commendable **manufacturer**, **distributor**, and **importer** of Reactors(Chokes) & Transformers. Our products are acclaimed for its high-quality standards of raw material, workmanship & design margin.



## About Us

**Apex Precision Agencies** company was established in the year **1990** to market, procure & distribute some of the world's best vendors for motion control technology products for **Industrial Automation**. Our range includes Linear Motion Guides, Balls crews, Roller screws & lead screws, Linear guides, Linear Electro-Mechanical Actuators & Screw jacks, Curvic couplings, Racks & Pinions, Aluminium profiles used in various industries for automation.

We are supported by a team of skilled and experienced professionals, who enable us to achieve the objectives of our enterprise in an efficient and hassle-free manner. These professionals are employed on the ground of their creativity and market experience in their concerned field. Our team members struggle hard round in order to meet the vast needs and preferences of our valuable customers. With the help of our skilled procuring agents, we are associated with reliable and certified vendors of the industry. These vendors are selected by our team of procuring agent on the ground of their past records of accomplishments, market leading prices, financial status, market reputation, prompt deliveries, etc.

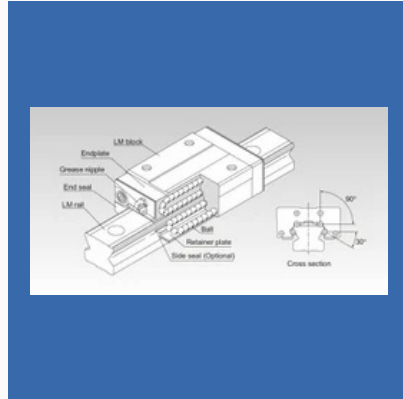
**Mr Harshad Hemani**, our mentor, has been heading the whole organization with an aim to become an entity known for high quality and customer satisfaction.



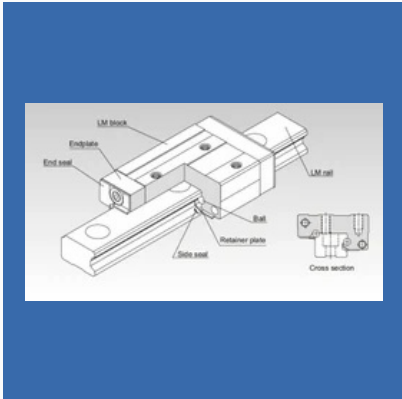
# BALL SCREWS



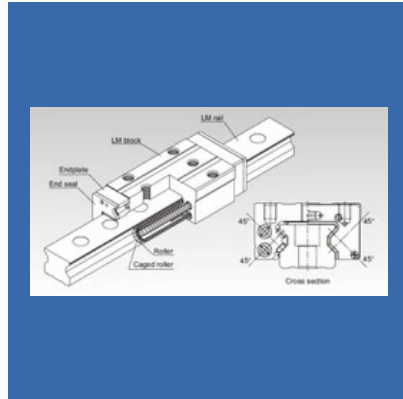
THK Miniature Rolled Ball screw MTF



THK LM Guide SR

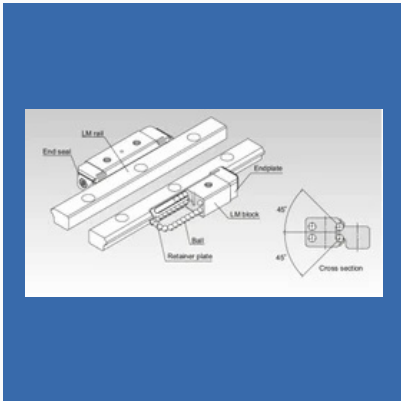


THK LM Guide GSR



THK Caged Roller LM Guide SRN

# LINEAR GUIDE



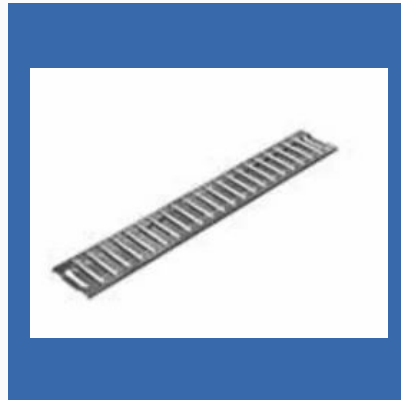
THK LM Guide HR



THK LM Roller LRU

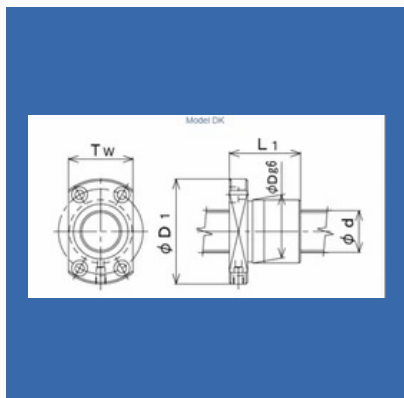


THK LM Guide Actuator KR

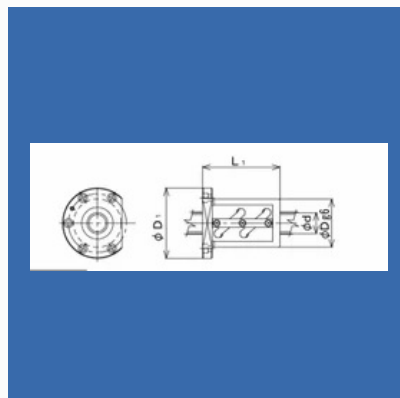


THK Flat Roller FT/FTW

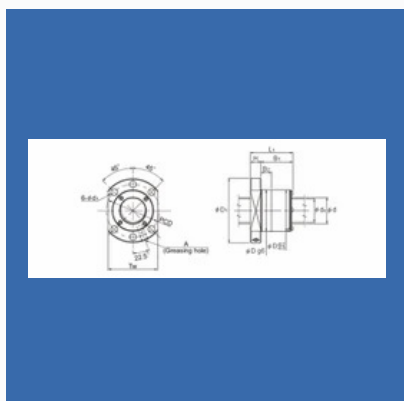
# BALL SCREW



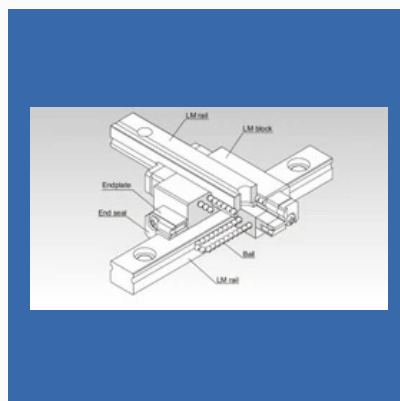
THK Precision Ball Screw DK



THK Precision Caged Ball Screw SBN



THK Precision Caged Ball Screw SDA

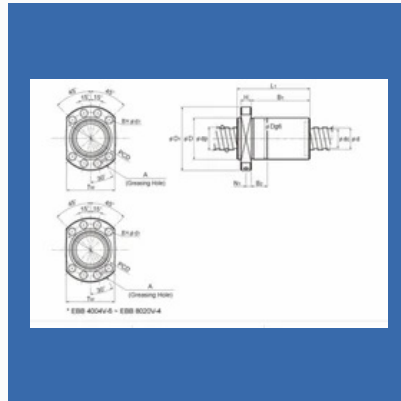


THK LM Guide MX

# BALL TRANSFER UNIT



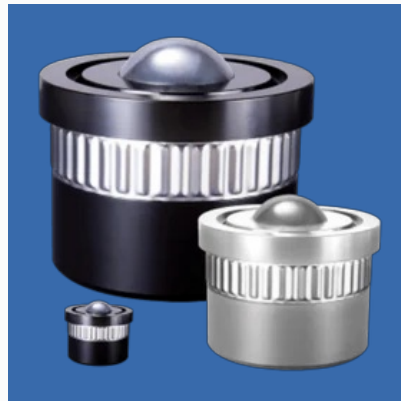
BTU Heavy Duty 92 Series



THK Standard Complaint Ball Screw EBB

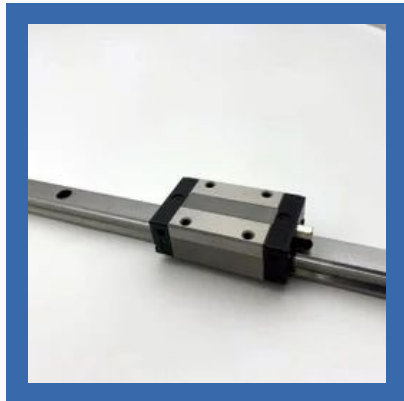


BTU Heavy Duty 94 Series

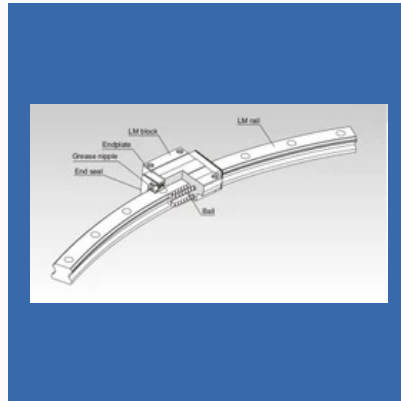


BTU Heavy Duty 98 Series

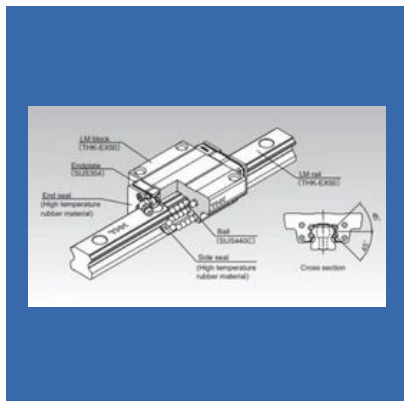
# LM GUIDE



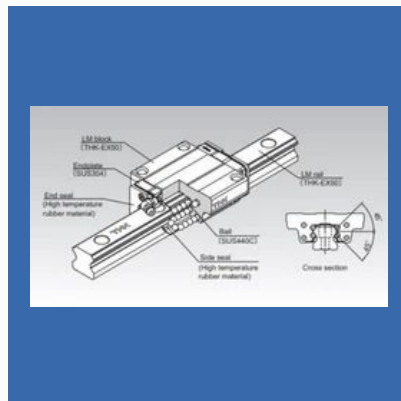
THK LM Guide HSR-M1W



THK LM Guide HCR

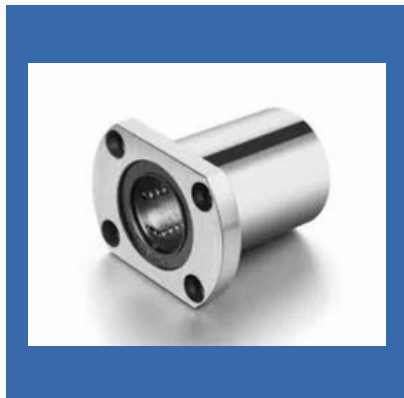


THK Linear Guide HSR20

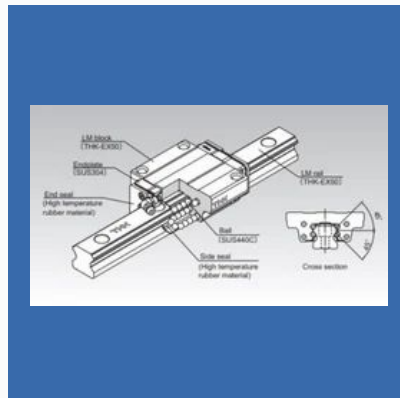


THK Linear Guide HSR30

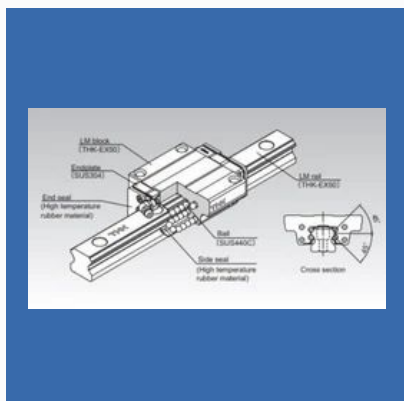
# LINEAR BUSH



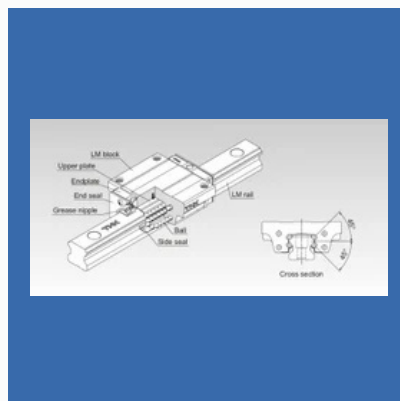
THK Linear Bushing LMH



THK Linear Guide HSR15



THK Linear Guide HSR55



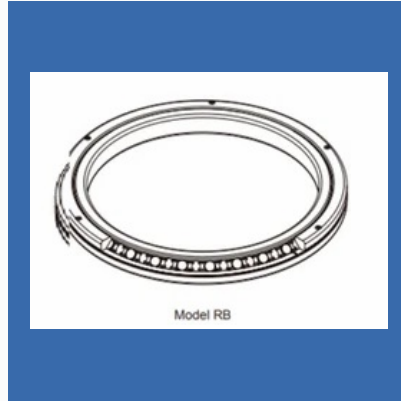
THK LM Guide HSR



# INDUSTRIAL BEARINGS



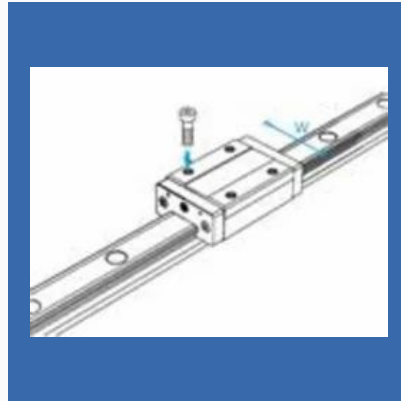
THK Cross Roller Ring RU



THK Cross Roller Ring  
RB/RB-USP



THK Cross Roller Ring  
RA/RA-C

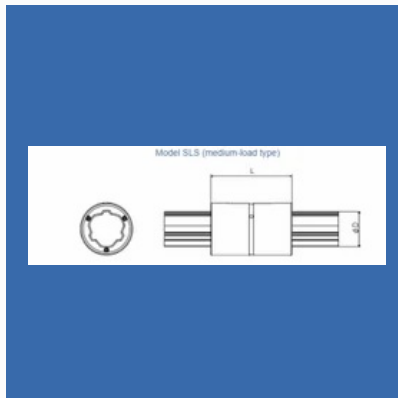


THK Oil- Free SR-MS

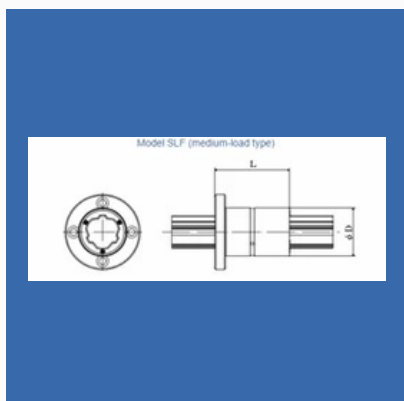
# BALL SPLINE



THK Linear Ball Spline LT



THK Caged Ball Spline SLS / SLS-L



THK Caged Ball Spline SLF



THK High Torque Ball Spline LBS

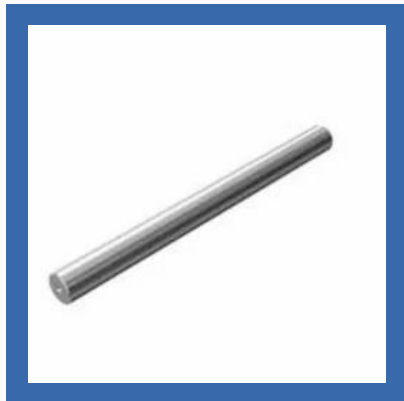
# ZIMMER GRIPPERS & CLAMPS



Zimmer Linear Manual Clamp  
HK



Zimmer Electric Gripper

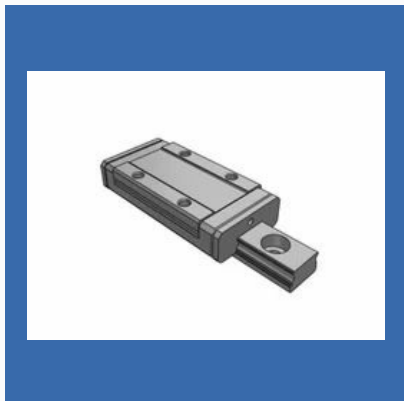


THK Standard LM Shafts SF

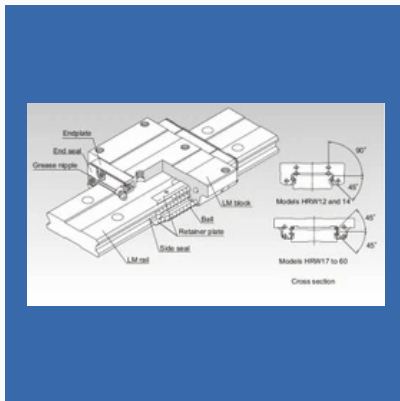


Zimmer Robotic Gripper

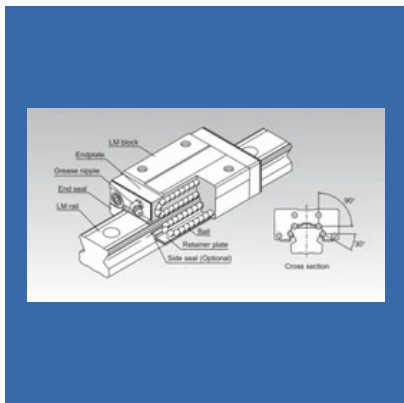
# LINEAR GUIDES



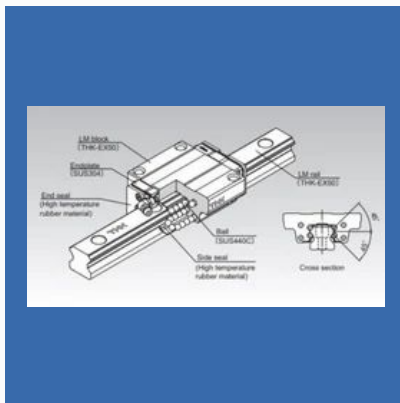
THK Caged Ball LM Guide SRS



THK LM Guide HRW



THK Linear Guide SR45



THK Linear Guide HSR85

# STOCK GEARS



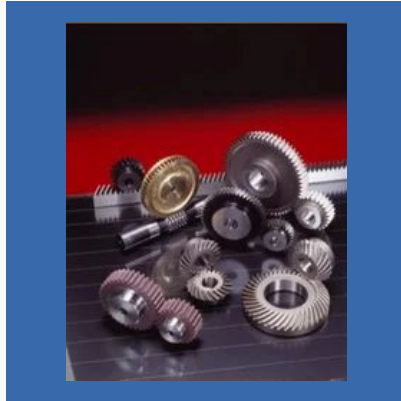
Standard Helical Gear



Standard Bevel Gears



Standard Spur Gear

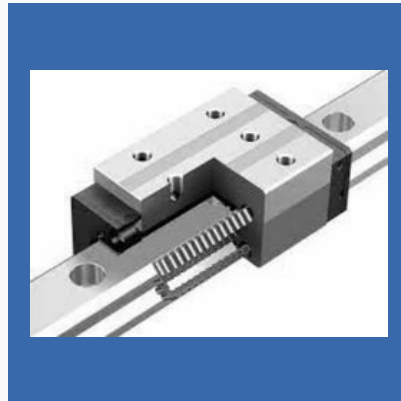


Standard Stock Gears

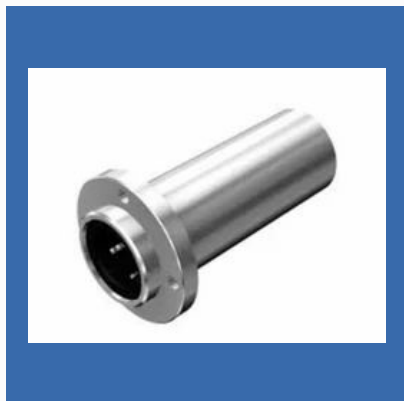
# LINEAR BALL BEARING



KHK Steel Ring Gear SIR



THK Linear Bearing

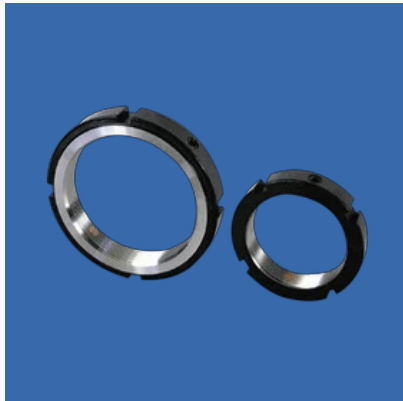


THK Linear Bushing LMIF-L

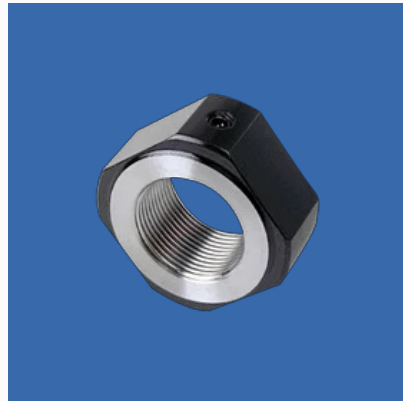


Linear Ball Bearing

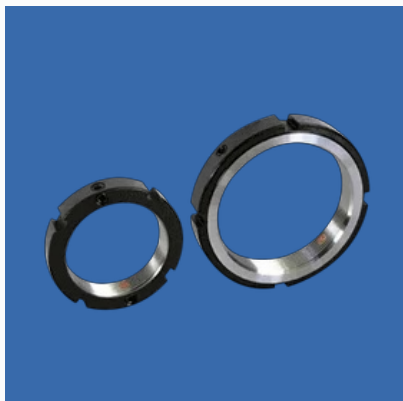
# PRECISION LOCKNUTS



LockNut ZM Type



LockNut YN Type



LockNut ZMV Type



LockNut YZM Type

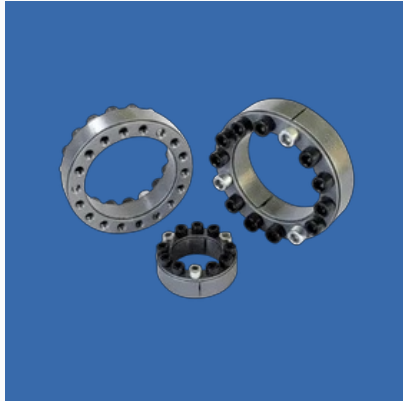
# POWER LOCK



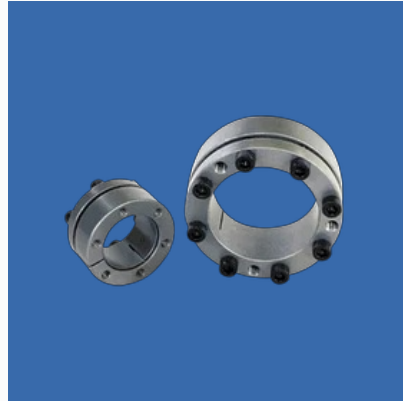
Power Lock



Power Lock SWLE 100 Type



Power Lock SWLE 200 Type



Power Lock SWLE 200A Type



# INDUSTRIAL COUPLING



FCL / FCLS Type NBK Couplings



Oldham Type Coupling



High Gain Type NBK Coupling



Serration Type Motor Coupling

# INDUSTRIAL COUPLINGS



Disk Type Coupling



Cleanroom, Vacuum, Heat Resistant NBK Coupling



Round Couplings

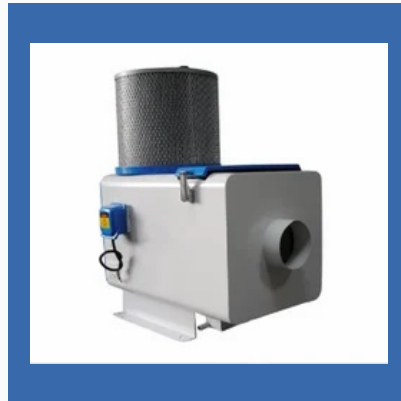


Encoder Coupling Shaft

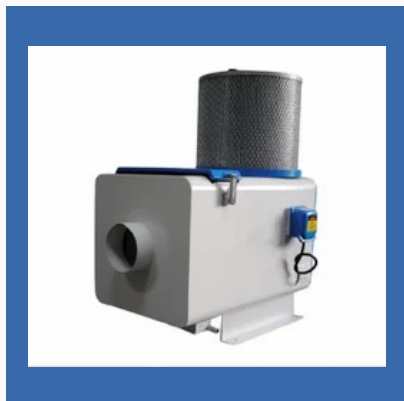
# OIL MIST CLEANER



Oil Mist Cleaner



Filter Mist Oil Mist Collectors



Electrostatic Oil Mist Collector



Coolant Oil Mist Collector

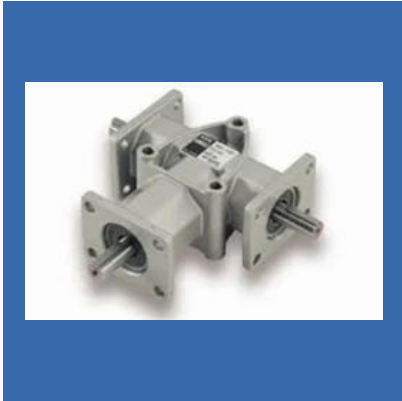
# INDUSTRIAL GEARBOX



Servo Gear Box



KHK Bevel Gearboxex PBX



KHK Bevel Gearboxes  
KBX/CBX

# RACK PINION



CP Racks & Pinions



Straight Rack And Pinion



KHK Rack & Pinion  
Lubrication System DLS

# COOLANT GUN



THK Original Grease AFA

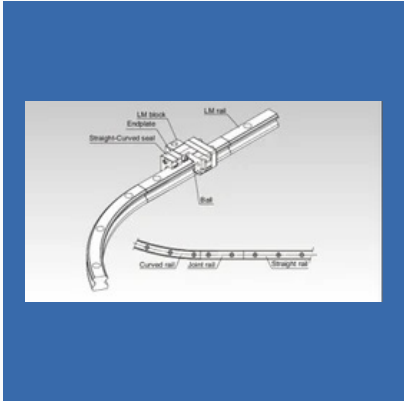


Coolant Gun for Machine Tools



THK Original Grease AFC

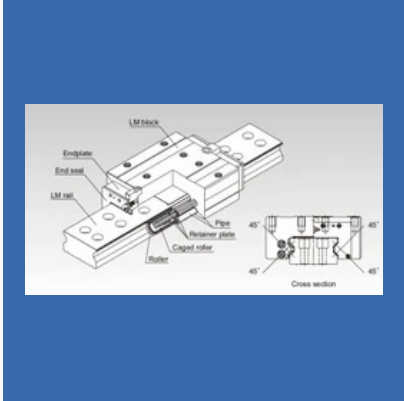
# OTHER PRODUCTS:



THK LM Guide HMG



THK Caged Ball LM Guide EPF



THK Caged Roller LM Guide SRW



Ball Transfer Unit

# Factsheet

Year of Establishment : 1987

---

Nature of Business : Authorized Wholesale Dealer

---

Total Number of Employees : 26 to 50 People

---





## CONTACT US

### **Apex Precision Mechatronix Private Limited**

Contact Person: Harshad Hemani

303-308, Krishna Bhuvan Annexe, 22- B Govandi Station Road, Deonar  
Mumbai - 400088, Maharashtra, India



+91-8048971183



<https://www.apexprecision-india.com/>